



**SAULE**  
TECHNOLOGIES

[Click here for summary info from BBC](#)



[Click here for summary video from Euronews](#)

euronews.

[Click here for summary the worldwide premiere of Saule perovskite sunblinds](#)

PEROVSKITE DAY

# CarPort AC/DC- Revolutionizing Solar Power Generation EV Charging Station

<https://port4car.com>



October 2020

WWW.SAULETECH.COM

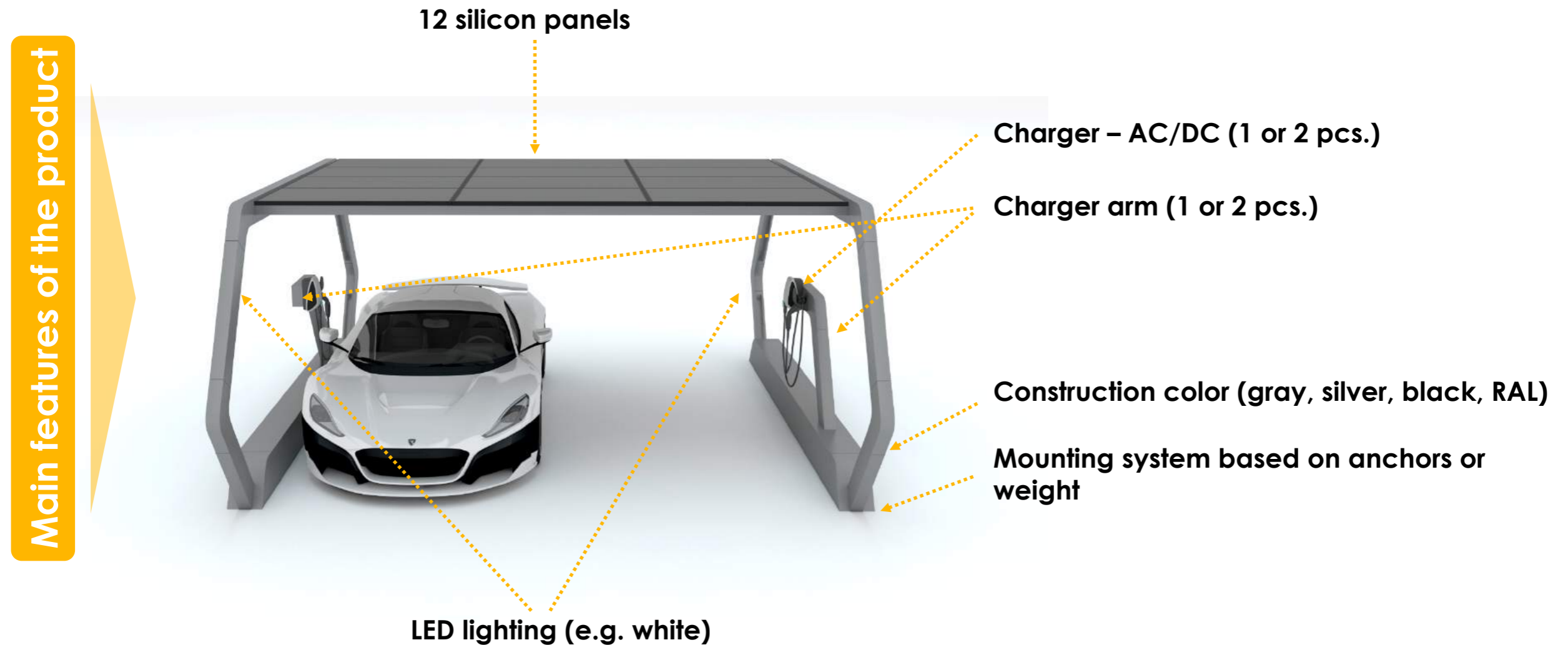


## **Carport AC/DC**

**Solar-powered EV charging stations**

# Carport AC/DC Basic

## Solar-powered EV charging stations



### Product features:

- Lightweight aluminum construction
- Quick assembly and disassembly processes
- 10-year warranty on construction
- 2-year warranty on ac/dc chargers

### Installation:

- On-grid installation is recommended in public spaces
- We manage the process of assembly, installation, and connection to the grid
- We create the necessary documentation and handle the technical inspection procedures
- Maintenance services

# Visualization (option 1)



## Visualization (option 2)





## Visualization (option 3)



# Visualization (option 4)



# Visualization (option 5)





# Visualization (option 6)



# Carport +

## Solar-powered EV charging stations with advertising space

### Advertising electric roller blinds integrated with Carport

- Front and back electric roller blinds
- Custom printed advertisements
- Protection from various weather conditions
- Ads illuminated at night
- Delivery of the roller blinds including printed ads in 24 h
- Easy replacement with no support needed



### Advertising side walls

- Custom printed advertisements
- Protection from various weather conditions
- Ads illuminated at night
- Delivery of the side walls including printed ads in 24 h
- Easy replacement with no support needed

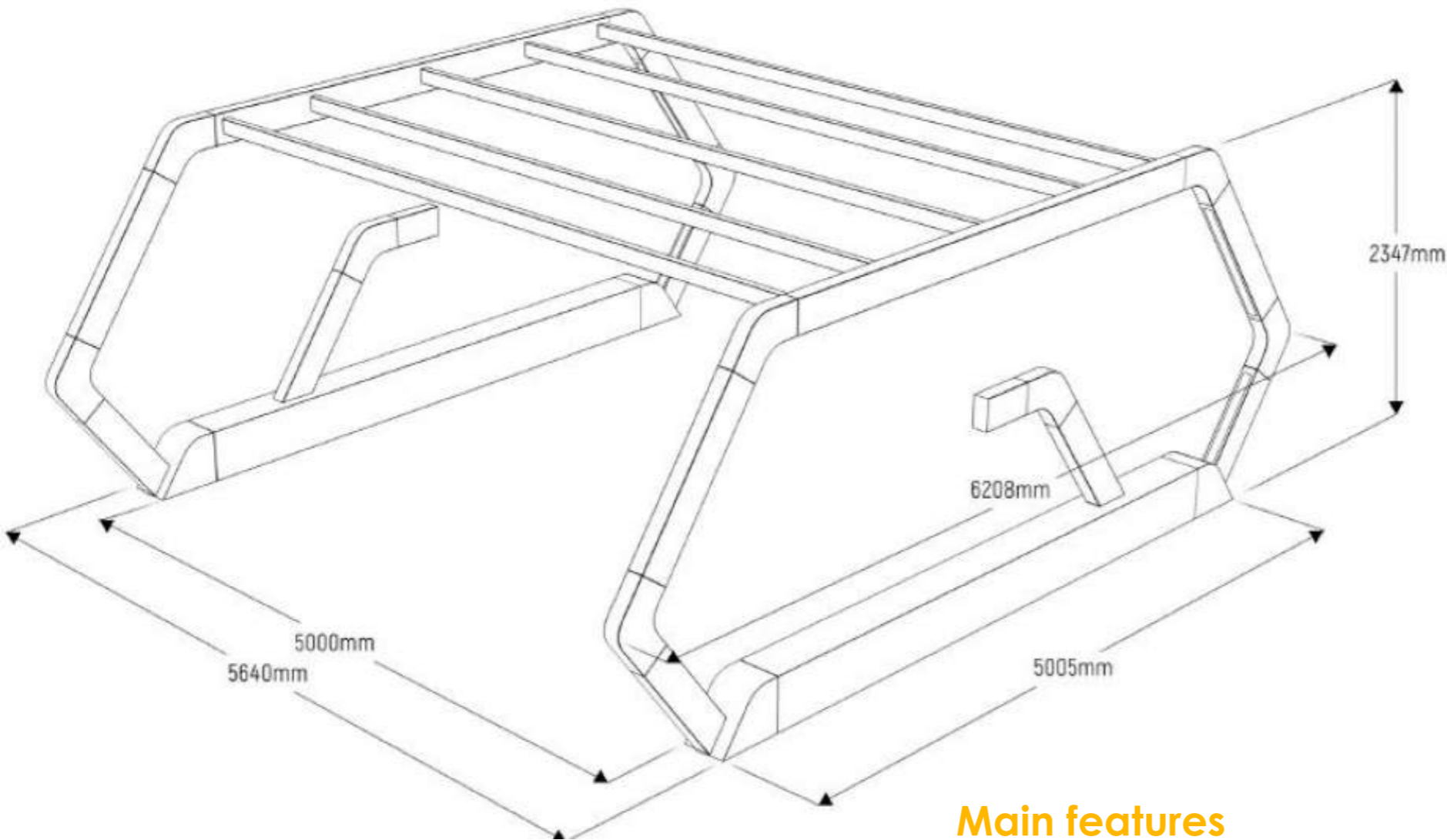
### Charger / arm / color / lighting:

- Compatible with chargers from all manufacturers
- Assembly of an additional charger arm
- Multiple construction colors available (RAL palette)
- Multicolor LED lighting with a remote controller



# Basic technical information

## Product dimensions



## Main features

- Dual modular construction enables connecting multiple stations and charging electric vehicles simultaneously
- Integrated and energy-saving LED lighting (multicolor option)
- Mobility is ensured due to quick assembly and disassembly processes





## **Carport AC/DC Pero**

***Solar-powered EV charging stations with a photovoltaic foil***

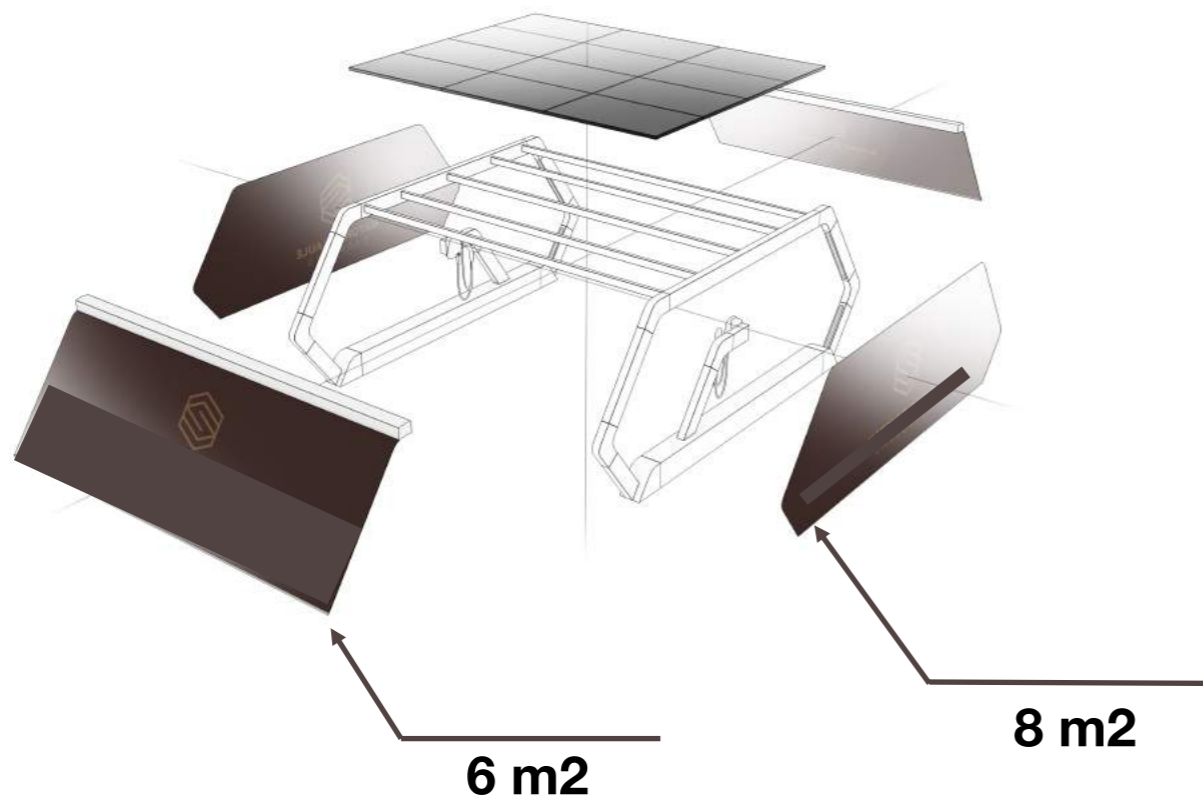


# Carport AC/DC Pero

*Solar-powered EV charging stations with a photovoltaic foil*

## Photovoltaic roller blinds with imprints

- Additional 30 m<sup>2</sup> of flexible PV panels
- Protection from various weather conditions
- Limited opportunities for printing advertisements on the foil



# Carport Multi AC/DC

Solar-powered EV charging stations – modular Carport



# Solar PV stations

Electric mopeds and bicycles





# Industrial design protection

## Solar-powered EV charging stations Carport Saule

Registered / Eingetragen 01/08/2019

No 006672572-0001

The Executive Director / Der  
Exekutivdirektor



Christian Archambeau



### EUROPEAN UNION INTELLECTUAL PROPERTY OFFICE CERTIFICATE OF REGISTRATION

This Certificate of Registration is hereby issued for the Registered Community Design identified below. The corresponding entries have been recorded in the Register of Community Designs.

### AMT DER EUROPÄISCHEN UNION FÜR GEISTIGES EIGENTUM EINTRAGUNGSURKUNDE

Diese Eintragungsurkunde wird für das unten genannte eingetragene Gemeinschaftsgeschmackmuster ausgestellt. Die entsprechenden Einträge sind in das Register für Gemeinschaftsgeschmacksmuster aufgenommen worden.

[www.euipo.europa.eu](http://www.euipo.europa.eu)





**Saule S.A.**  
**Postępu 14B Street**  
**02-676 Warsaw, Poland**

**<https://www.port4car.com>**

**<https://sauletech.com>**